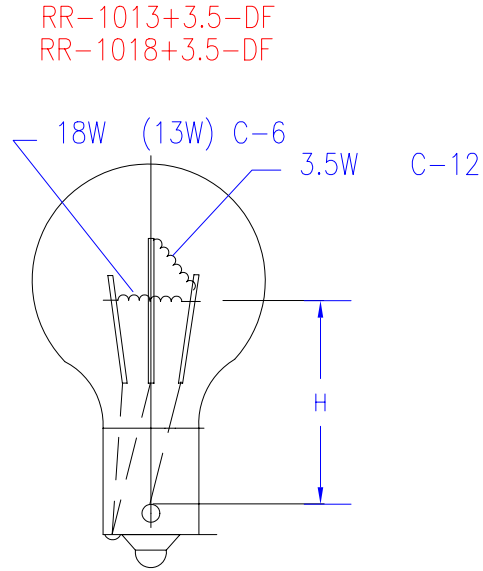
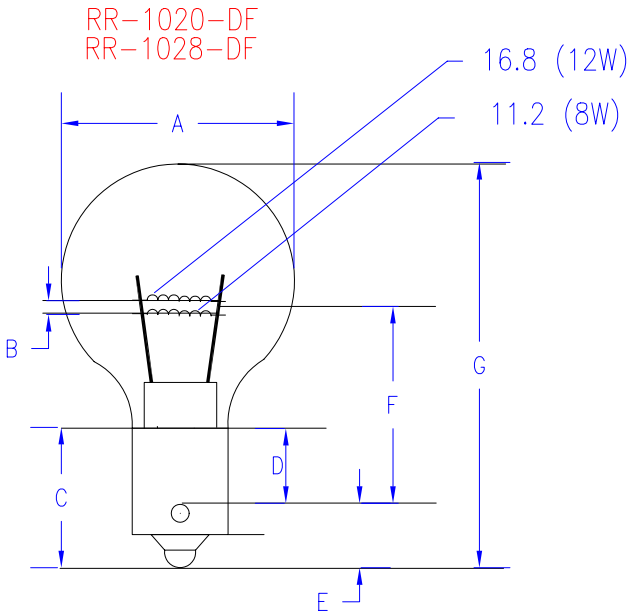


REV
DATE 06/18/01

PART NUMBER	BULB	VOLTS	AMP	WATTS	FILAMENT	MSCP	±10% LUMENS	AVG. RATED LIFE HRS
RR-1020-DF	S-11	10	2.0	20	2 - C6	18	225	+10,000
RR-1028-DF	S-11	10	2.8	28	2 - C6	28	350	+10,000
RR-1018+3.5-DF	S-11	10	2.15	21.5	C6/C12	19	240	+10,000
RR-1013+3.5-DF	S-11	10	1.65	16.5	C6/C12	16	200	+10,000

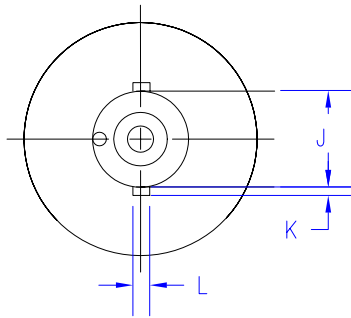


±.125

±.016 LCL

DIM	A	B	C	D	E	F	G	H	J	K	L
RR-1020-DF	1.378	.079	.748	.492	.316	1.250	2.374				
RR-1028-DF	+/- .039	+/- .059	.748	.492	.249	+/- .0156	+/- .122				
RR-1018+3.5DF								1.250	.600	.039	.087
RR-1013+3.5DF								+/- .015	+/- .590	.025	.059

UNITS ARE IN INCHES



Both Lamps

MARKING: The base of the lamp is to be marked with "G". A two digit mfg date code with digit one the year, and digit two the month (Oct, Nov, Dec are X Y Z). Mark volts and watts.

INFORMATION CONTAINED HEREIN IS THE PROPERTY OF VELCORP AND IS TO BE HELD IN COMPLETE CONFIDENCE. REPRODUCE WITH WRITTEN CONSENT ONLY.



CODE IDENT NO
CAGE NO 7Y405

TOL. 2 PLS +/- .03
3 PLS +/- .010
FRAC. +/- 1/32

DR: Robert McClemens

CK: MRM

DATE: 7/1/98

SCALE: NONE

DRAWING NO:

RR10-DF

APP.

SHT 1 OF 1

TITLE:
LAMP, 10V, STANDARD DOUBLE FILAMENT
SINGLE CONTACT BAY, BASE