

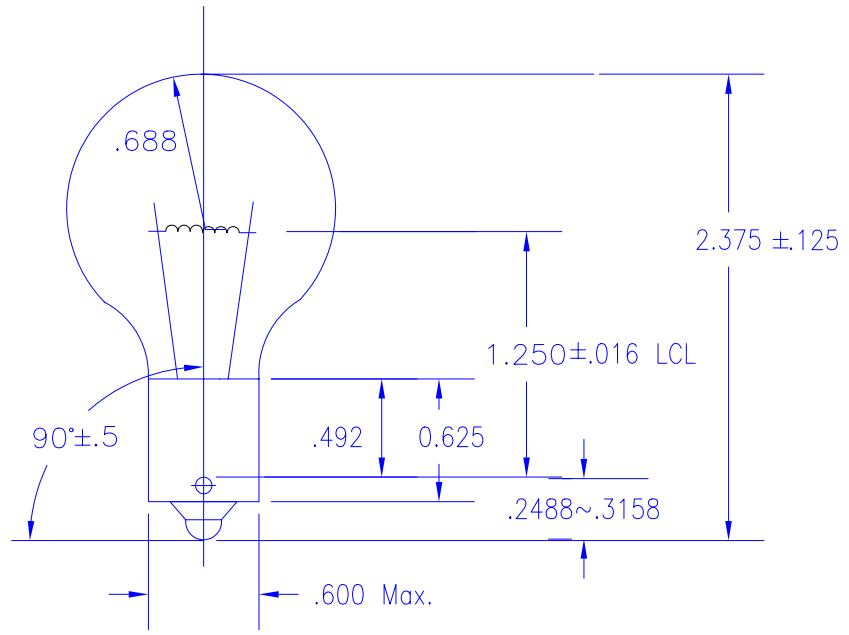
PART NUMBER	BULB	VOLTS	AMP	WATTS	FILAMENT	MSCP	±10% LUMENS	AVG. RATED LIFE HRS
RS-1018-SF	S-11	10	1.8	18	C6	18	225	12,000*
RS-1025-SF	S-11	10	2.5	25	C6	25	313	12,000*
RS-1005-SF	S-11	10	.5	5	C6	5	62	+10,000*

UNITS ARE IN INCHES

*NOTE: The "RS" lamps replace the "RR" lamps. The lamp filament of the "RS" is spot welded and crimped resulting in increased capability for high vibration and electrical spikes.

1 Consult engineering drawing for additional details.

2 Base is brass with a bright nickle finish.

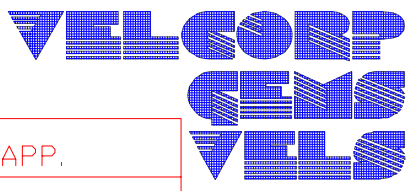


MARKING: The base of the lamp is to be marked with "G". A four digit mfg date code with digit one and two the year, and digits three and four the month. Mark VOLTS and WATTS using V and W.

Copyright 2000 VELCORP/GEMS. All rights reserved.

No part of this document/lamp design may be reproduced, stored in a retrieval system, or transmitted by any means, electronic, photocopying, recording, etc., without the prior written permission of VELCORP/GEMS.

MKT



CODE IDENT NO
CAGE NO 7Y405

TOL. 2 PLS +/- .03
3 PLS +/- .010
FRAC. +/- 1/32

DR: Robert McClemens

CK: MR

DATE: 7/1/98

SCALE: NONE

DRAWING NO:

RS10-SF

TITLE:
LAMP, 10V, Standard brightness
Single filament, single contact bay base

APP.
SHT 1 OF 1