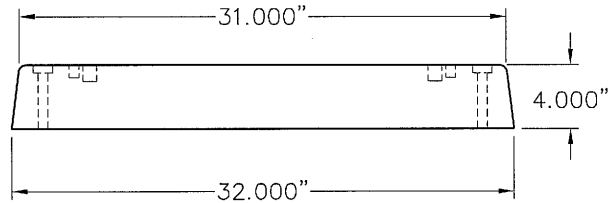
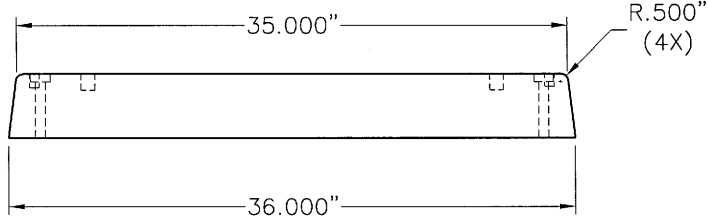
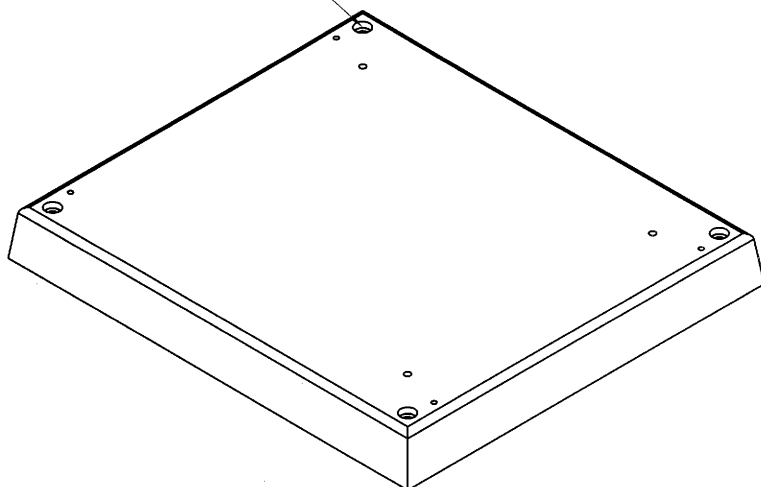
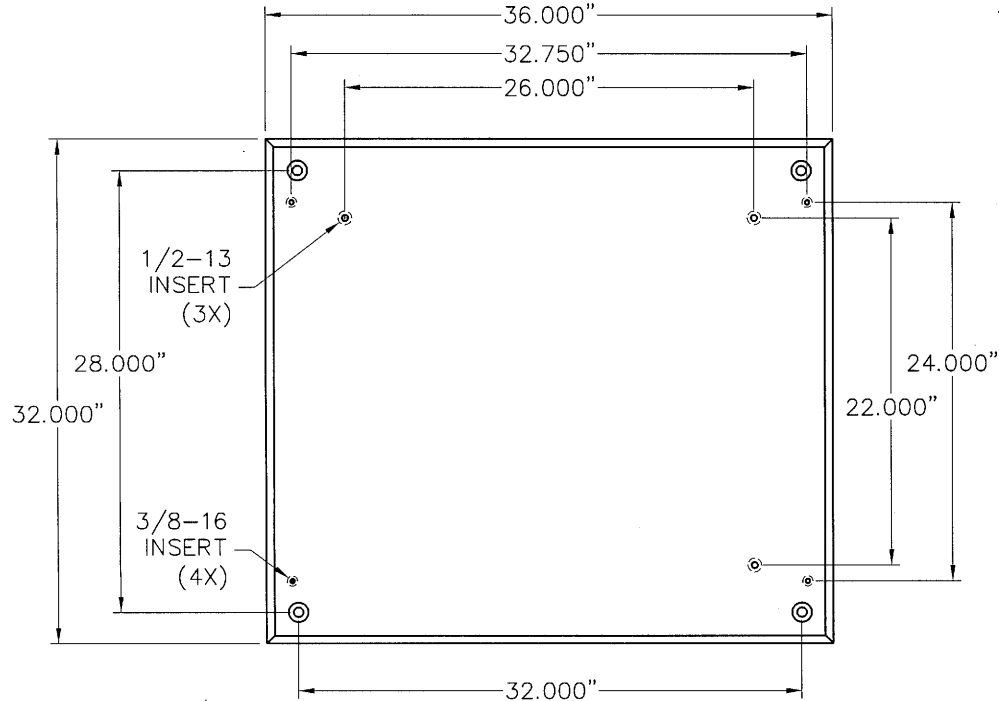


APPROX. WT. = 110 LBS


COUNTER BORE FOR
1/2-13 X 4 1/2" BOLT
(4X)



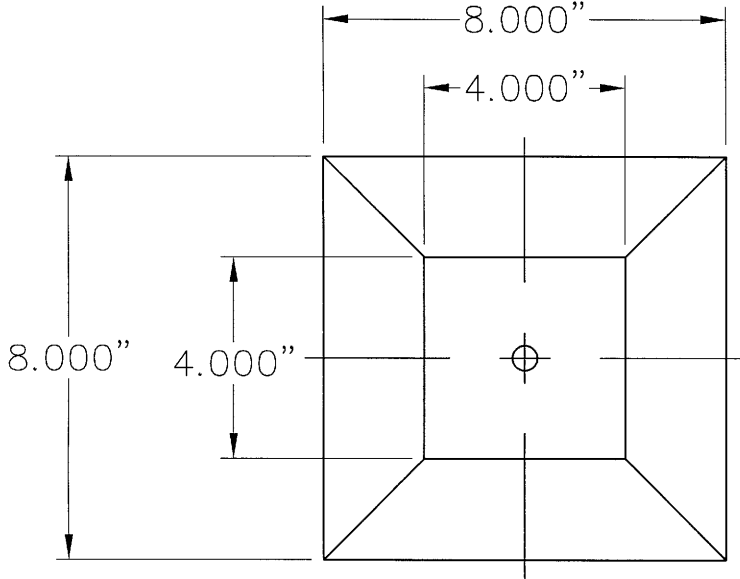
FILE NAME
A6-1813-ARMS INC

SUPPLIED WITH THE FOLLOWING HARDWARE:
(7X) 1/2-13 UNC X 4 1/2" HEX HEAD BOLTS
(4X) 3/8-16 UNC X 1" HEX HEAD BOLTS

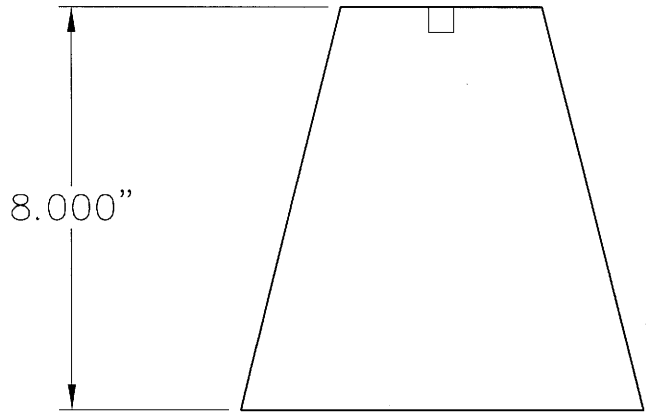
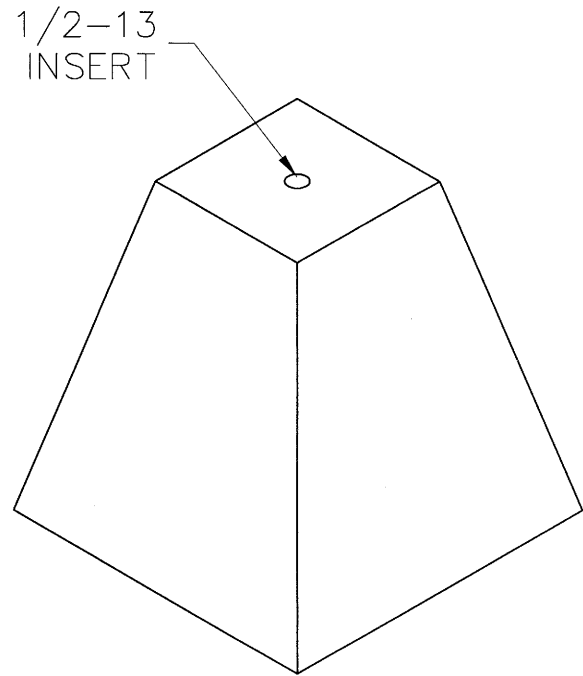
ARMS PART NO. ARM-PEF-S
FOR USE W/ARMS-PCC20

 13230 Satcoy Street, North Hollywood, CA 91605 (818) 982-3600 ARMORCAST PRODUCTS COMPANY		PART DESCRIPTION		32" X 36" X 4" PROPANE EQUIPMENT PAD	
		CUSTOMER		ARMS INC	
DRAWN	DATE	SCALE	MAX. LOAD		
OA	2/08	NONE	PEDESTRIAN		
APPROV.	DATE	MATERIAL	DRAWING NUMBER		
WS	2/08	POLYMER CONCRETE	A6001813		

THE INFORMATION IN THIS DRAWING IS CONFIDENTIAL. THE DRAWING IS NOT TO BE REPRODUCED OR ITS CONTENTS DIVULGED IN ANY MANNER WHATSOEVER EXCEPT WITH THE PRIOR WRITTEN APPROVAL OF ARMORCAST PRODUCTS COMPANY. IT IS THE PROPERTY OF AND MUST BE RETURNED TO ARMORCAST PRODUCTS COMPANY, 13230 SATCOY STREET, NORTH HOLLYWOOD, CALIFORNIA 91605.




APPROX. WT. = 20 LBS



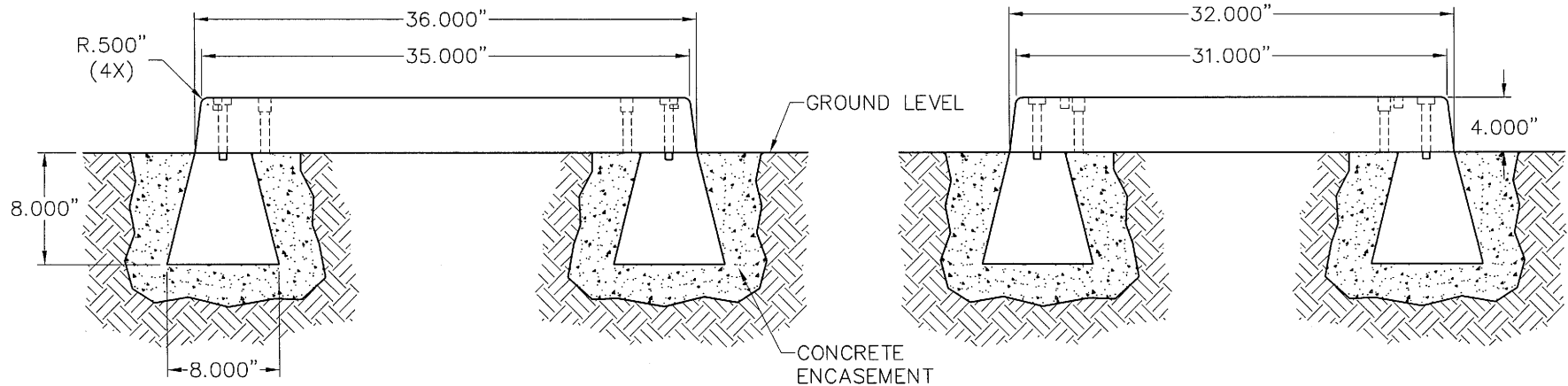
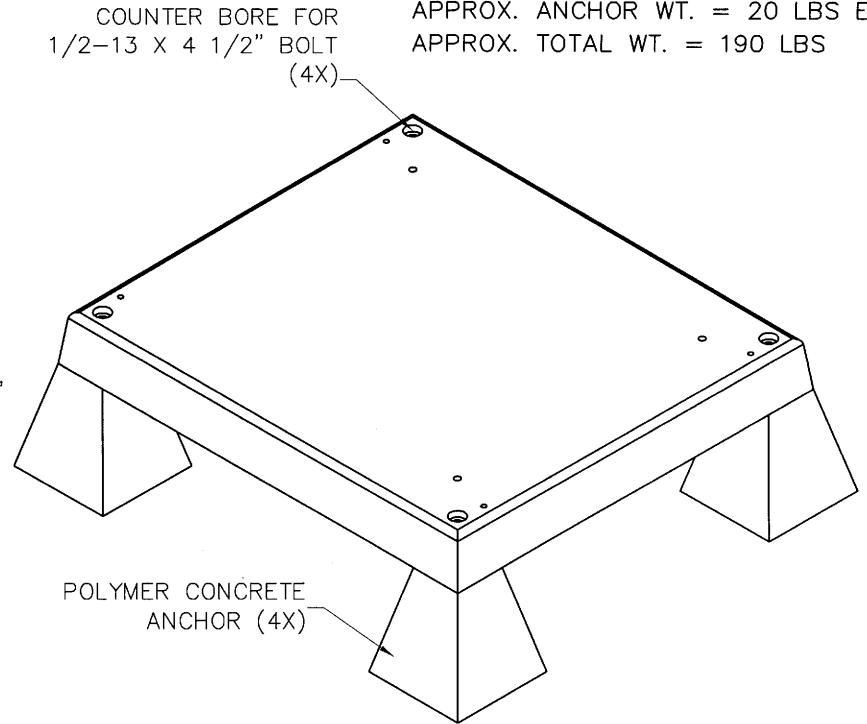
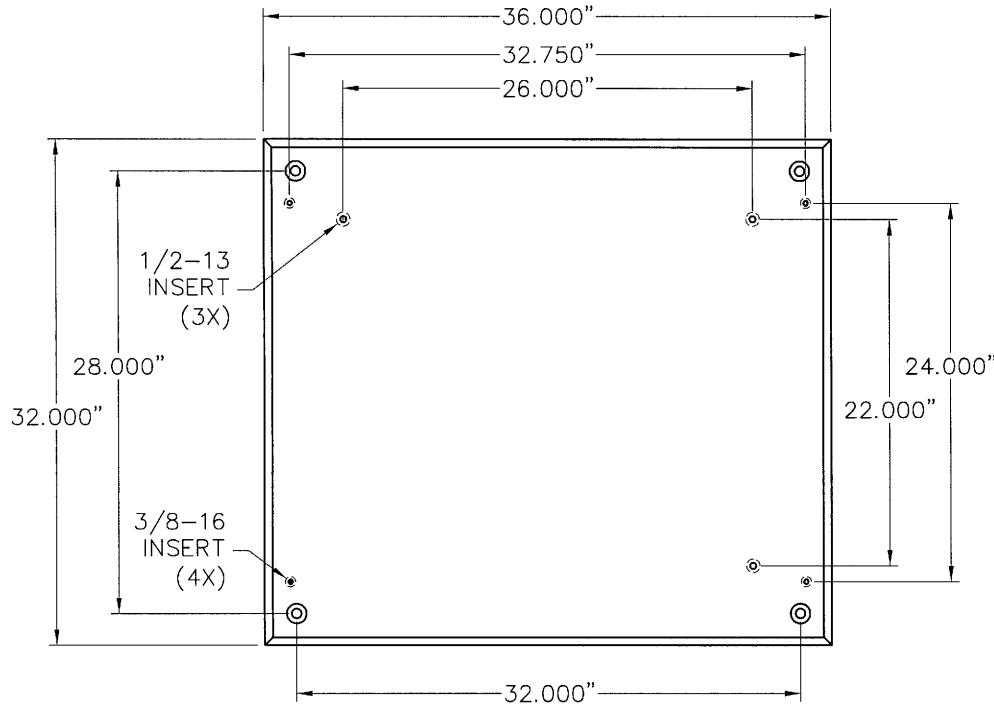
USE W/A6001813

THE MARK
 AG-1813A-ANCHOR-ARMS INC

 13230 Satcoy Street, North Hollywood, CA 91605 (818) 982-3800 ARMORCAST PRODUCTS COMPANY		PART DESCRIPTION		4" X 4" X 8" POLYMER CONCRETE PAD ANCHOR	
		CUSTOMER		ARMS INC	
DRWN	DATE	SCALE	MAX. LOAD		
OA	3/08	NONE			
APPROV.	3/08	MATERIAL	DRAWING NUMBER		
WS		POLYMER CONCRETE	A6001813-ANCH		

THE INFORMATION IN THIS DRAWING IS CONFIDENTIAL. THE DRAWING IS NOT TO BE REPRODUCED OR ITS CONTENTS DISCLOSED IN ANY WAY WHATSOEVER EXCEPT WITH THE PRIOR WRITTEN APPROVAL OF ARMORCAST PRODUCTS COMPANY. IT IS THE PROPERTY OF AND MUST BE RETURNED TO ARMORCAST PRODUCTS COMPANY, 13230 SATCOY STREET, NORTH HOLLYWOOD, CALIFORNIA 91605.


APPROX. PAD WT. = 110 LBS
 APPROX. ANCHOR WT. = 20 LBS EACH
 APPROX. TOTAL WT. = 190 LBS



SUPPLIED WITH THE FOLLOWING:
 (7X) 1/2-13 UNC X 4 1/2" HEX HEAD BOLTS
 (4X) 3/8-16 UNC X 1" HEX HEAD BOLTS
 (4X) A6001813-ANCH ANCHOR BLOCKS
 ALL PARTS & HARDWARE TO BE SHIPPED UNASSEMBLED

ARMS PART NO. ARM-PEF-S
 FOR USE W/ARMS-PCC20

FILE NAME
 A6-1813A-ARMS INC

 13230 Saticoy Street, North Hollywood, CA 91605 (818) 982-3600 ARMORCAST PRODUCTS COMPANY	PART DESCRIPTION 32" X 36" X 4" PROPANE EQUIPMENT PAD ASSEMBLY		CUSTOMER ARMS INC	
	DRAWN OA	DATE 3/08	SCALE NONE	MAX. LOAD
APPROV. WS	DATE 3/08	MATERIAL POLYMER CONCRETE	DRAWING NUMBER A6001813A	

THE INFORMATION IN THIS DRAWING IS CONFIDENTIAL. THE DRAWING IS NOT TO BE REPRODUCED OR ITS CONTENTS DIVULGED IN ANY WAY WHATSOEVER EXCEPT WITH THE PRIOR WRITTEN APPROVAL OF ARMORCAST PRODUCTS COMPANY. IT IS THE PROPERTY OF AND MUST BE RETURNED TO ARMORCAST PRODUCTS COMPANY, 13230 SATICOY STREET, NORTH HOLLYWOOD, CALIFORNIA 91605.